

Compact splicing connector; 5-conductor terminal block; with operating levers; max. continuous service temperature 85°C

Item No.: 222-415



Compact splicing connector; 5-conductor terminal block; with operating levers; max. continuous service temperature 85°C

Marking

RoHS ✓
Compliant

Business data

Supplier	WAGO
Item no.	222-415
EAN	4044918464956
Content	1
Order amount	40
Customer item number	

Notes

Technical data

Miscellaneous

Total number of connection points	5
Total number of potentials	1
Color	gray
Pollution degree (1)	2
Rated voltage EN (1) [V]	400 [V]
Rated surge voltage (1) [kV]	4 [kV]
Nominal current [A]	32 [A]
Connection technology (1)	CAGE CLAMP®

Technical data	
Conductor type (1)	<i>solid + fine-stranded</i>
Cross section from (1) [mm ²]	<i>0.08 [mm²]</i>
Cross section up to (1) [mm ²]	<i>2.5 [mm²]</i>
Cross section from (1) [AWG]	<i>28 [AWG]</i>
Cross section up to (1) [AWG]	<i>14 [AWG]</i>
Conductor type (2)	<i>fine-stranded</i>
Cross section from (2) [mm ²]	<i>0.08 [mm²]</i>
Cross section up to (2) [mm ²]	<i>4 [mm²]</i>
Cross section from (2) [AWG]	<i>28 [AWG]</i>
Cross section up to (2) [AWG]	<i>12 [AWG]</i>
Stripped length from (1) [mm]	<i>9 [mm]</i>
Stripped length up to (1) [mm]	<i>10 [mm]</i>
Stripped length (1) [in]	<i>0.37 [in]</i>
Type of wiring	<i>Side-entry wiring</i>
Fire load [MJ]	<i>0.13 [MJ]</i>
Weight [g]	<i>6.6 [g]</i>
Width [mm]	<i>26.6 [mm]</i>
Width [in]	<i>1.047 [in]</i>
Height [mm]	<i>14.5 [mm]</i>
Height [in]	<i>0.571 [in]</i>
Length [mm]	<i>20.5 [mm]</i>
Length [in]	<i>0.807 [in]</i>
Safety information 1	<i>In grounded power lines</i>

Approbation					
Item No.	Registration	Registration no.	Voltage [V]	Current [A]	Cross section [mm ² , AWG]
222-415	ABS	10-HN17750340X	450	32	0,5-4
222-415	UL	DK140137-01	450	32	0,5-4

Accessories

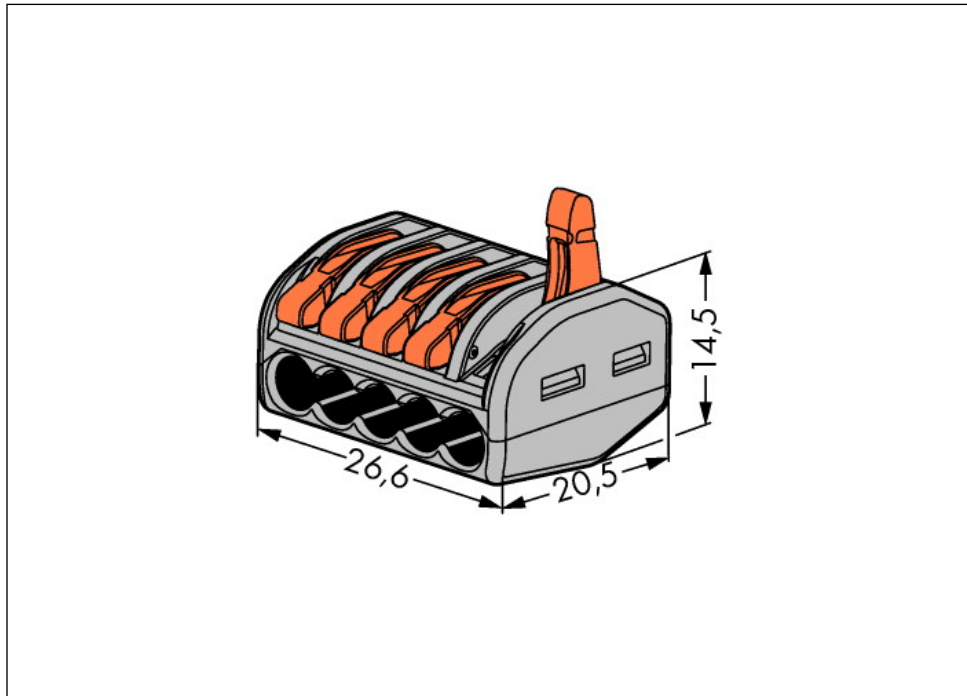
Accessories

General accessory

Item no.	Description	Pack. unit (Sub Pack)
222-500	Mounting carrier; for 2-, 3-, 5-wire compact splicing connectors	10
222-505	Strain relief plate; for snap-on fixing to 222-500 mounting carrier	10
222-510	Angled DIN-rail adapter; in combination with 222-500 mounting carrier for DIN 35 rail mounting	10

Images & drawings





Address

WAGO Kontakttechnik GmbH & Co. KG

Hansastr. 27

32423 Minden

Telefon: 0571/887-0

Fax: 0571/887-169

<http://www.wago.com>

© WAGO Kontakttechnik GmbH & Co. KG

Technische Änderungen und Irrtümer vorbehalten.