

## COMPACT PUSH WIRE® connector for junction boxes; 2-conductor terminal block

Item No.: 2273-202



COMPACT PUSH WIRE® connector for junction boxes; 2-conductor terminal block

### Marking

RoHS ✓  
Compliant

### Business data

Supplier	WAGO
Item no.	2273-202
EAN	4050821027843
Content	1
Order amount	100
Customer item number	

### Notes

### Technical data

#### Miscellaneous

No. of Poles	2
Total number of connection points	2
Total number of potentials	1
Pollution degree (1)	2
Rated voltage EN (1) [V]	450 [V]
Rated surge voltage (1) [kV]	4 [kV]
Nominal current [A]	24 [A]
Connection technology (1)	PUSH WIRE®
Conductor type (1)	solid

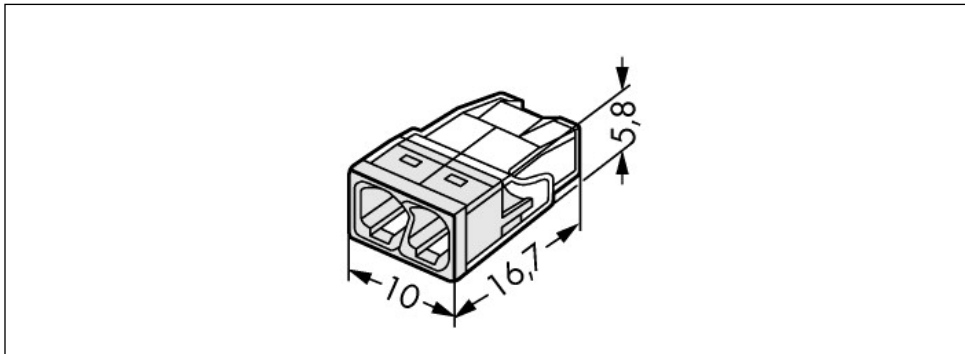
Technical data	
Cross section from (1) [mm <sup>2</sup> ]	0.5 [mm <sup>2</sup> ]
Cross section up to (1) [mm <sup>2</sup> ]	2.5 [mm <sup>2</sup> ]
Cross section from (1) [AWG]	18 [AWG]
Cross section up to (1) [AWG]	14 [AWG]
Stripped length from (1) [mm]	11 [mm]
Stripped length up to (1) [mm]	11 [mm]
Stripped length (1) [in]	0.43 [in]
Type of wiring	Side-entry wiring
Fire load [MJ]	0.014 [MJ]
Weight [g]	0.71 [g]
Width [mm]	10 [mm]
Width [in]	0.394 [in]
Height [mm]	5.8 [mm]
Height [in]	0.228 [in]
Length [mm]	16.7 [mm]
Length [in]	0.657 [in]
Safety information 1	In grounded power lines

Approbation					
Item No.	Registration	Registration no.	Voltage [V]	Current [A]	Cross section [mm <sup>2</sup> , AWG]
2273-202	RosTest	AB24 B04007			
2273-202	VDE	40029794	450	24	2,5

Accessories		
General accessory		
Item no.	Description	Pack. unit (Sub Pack)
2273-500	Mounting carrier; for single- (14 mm) and double-row (18.5 mm) connectors	10

Images & drawings





#### Address

WAGO Kontakttechnik GmbH & Co. KG

Hansastr. 27

32423 Minden

Telefon: 0571/887-0

Fax: 0571/887-169

<http://www.wago.com>

© WAGO Kontakttechnik GmbH & Co. KG

Technische Änderungen und Irrtümer vorbehalten.