

COMPACT PUSH WIRE® connector for junction boxes; 5-conductor terminal block

Item No.: 2273-205



COMPACT PUSH WIRE® connector for junction boxes; 5-conductor terminal block

Marking

RoHS ✓
Compliant

Business data

Supplier	WAGO
Item no.	2273-205
EAN	4050821027874
Content	1
Order amount	100
Customer item number	

Notes

Technical data

<i>Miscellaneous</i>	
No. of Poles	5
Total number of connection points	5
Total number of potentials	1
Color	transparent
Pollution degree (1)	2
Rated voltage EN (1) [V]	450 [V]
Rated surge voltage (1) [kV]	4 [kV]
Nominal current [A]	24 [A]
Connection technology (1)	PUSH WIRE®

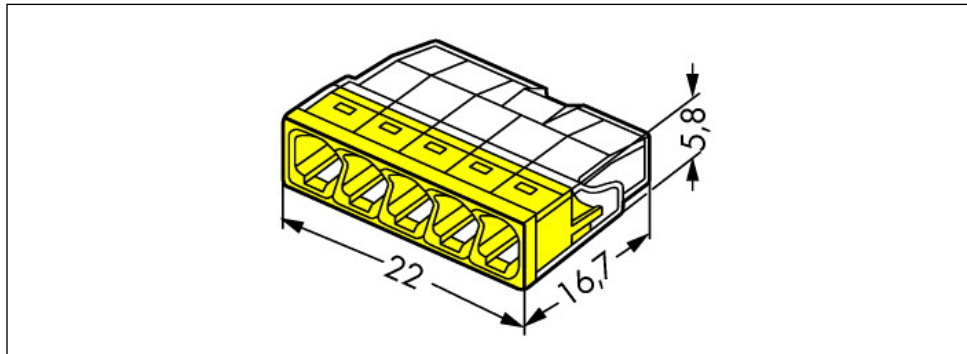
Technical data	
Conductor type (1)	<i>solid</i>
Cross section from (1) [mm ²]	<i>0.5 [mm²]</i>
Cross section up to (1) [mm ²]	<i>2.5 [mm²]</i>
Cross section from (1) [AWG]	<i>18 [AWG]</i>
Cross section up to (1) [AWG]	<i>14 [AWG]</i>
Stripped length from (1) [mm]	<i>11 [mm]</i>
Stripped length up to (1) [mm]	<i>11 [mm]</i>
Stripped length (1) [in]	<i>0.43 [in]</i>
Type of wiring	<i>Side-entry wiring</i>
Fire load [MJ]	<i>0.03 [MJ]</i>
Weight [g]	<i>1.606 [g]</i>
Width [mm]	<i>22 [mm]</i>
Width [in]	<i>0.866 [in]</i>
Height [mm]	<i>5.8 [mm]</i>
Height [in]	<i>0.228 [in]</i>
Length [mm]	<i>16.7 [mm]</i>
Length [in]	<i>0.657 [in]</i>
Safety information 1	<i>In grounded power lines</i>

Approbation					
Item No.	Registration	Registration no.	Voltage [V]	Current [A]	Cross section [mm ² , AWG]
<i>2273-205</i>	<i>RosTest</i>	<i>AB24 B04007</i>			
<i>2273-205</i>	<i>VDE</i>	<i>40029794</i>	<i>450</i>	<i>24</i>	<i>2,5</i>

Accessories		
General accessory		
Item no.	Description	Pack. unit (Sub Pack)
<i>2273-500</i>	<i>Mounting carrier; for single- (14 mm) and double-row (18.5 mm) connectors</i>	<i>10</i>

Images & drawings





Address

WAGO Kontakttechnik GmbH & Co. KG

Hansastr. 27

32423 Minden

Telefon: 0571/887-0

Fax: 0571/887-169

<http://www.wago.com>

© WAGO Kontakttechnik GmbH & Co. KG

Technische Änderungen und Irrtümer vorbehalten.