

PUSH WIRE® connector for junction boxes; 3-conductor terminal block; transparent housing; red cover

Item No.: 773-173



PUSH WIRE® connector for junction boxes; 3-conductor terminal block; transparent housing; red cover

Marking

RoHS ✓
Compliant

Business data

Supplier	WAGO
Item no.	773-173
EAN	4050821215141
Content	1
Order amount	50
Customer item number	

Notes

Technical data

Miscellaneous

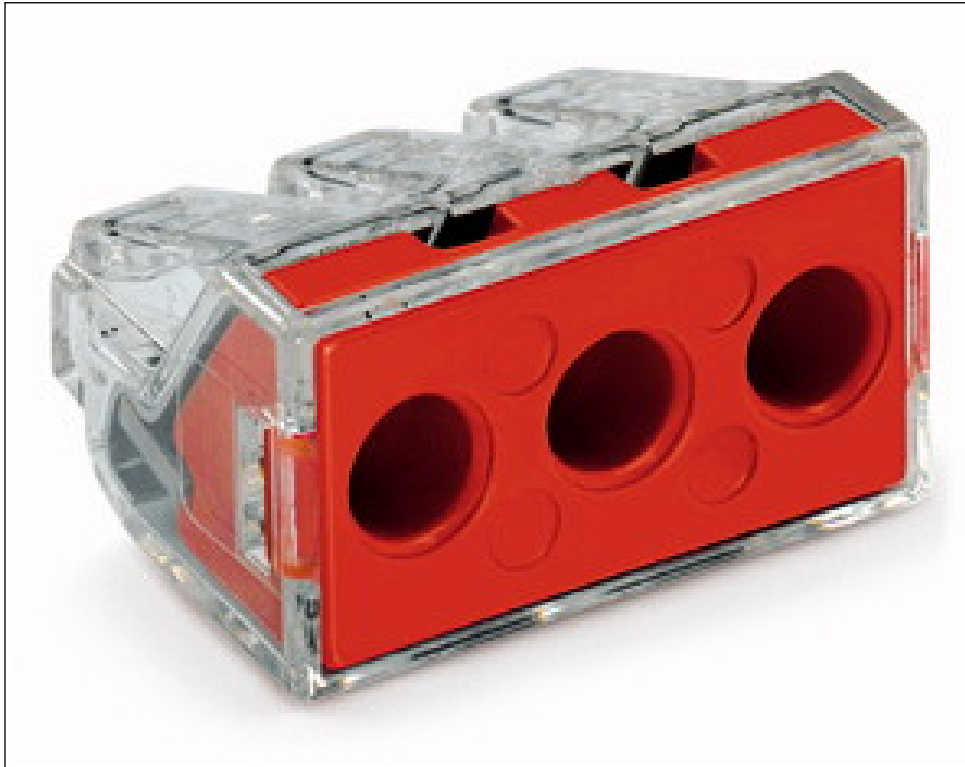
No. of Poles	3
Total number of connection points	3
Total number of potentials	1
Color	transparent
Pollution degree (1)	2
Rated voltage EN (1) [V]	400 [V]
Rated surge voltage (1) [kV]	4 [kV]
Nominal current [A]	41 [A]
Connection technology (1)	PUSH WIRE®

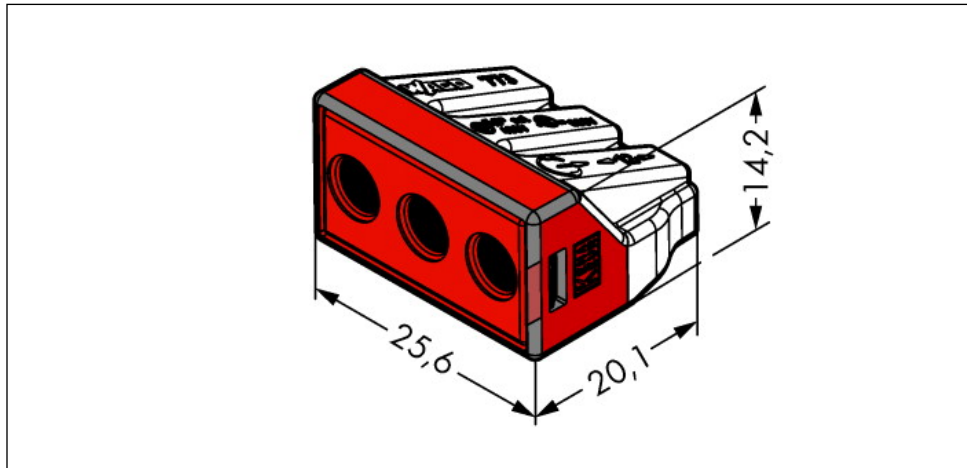
Technical data	
Conductor type (1)	<i>solid + stranded</i>
Cross section from (1) [mm ²]	<i>2.5 [mm²]</i>
Cross section up to (1) [mm ²]	<i>6 [mm²]</i>
Cross section from (1) [AWG]	<i>14 [AWG]</i>
Cross section up to (1) [AWG]	<i>10 [AWG]</i>
Stripped length from (1) [mm]	<i>12 [mm]</i>
Stripped length up to (1) [mm]	<i>13 [mm]</i>
Stripped length (1) [in]	<i>0.49 [in]</i>
Type of wiring	<i>Side-entry wiring</i>
Fire load [MJ]	<i>0.115 [MJ]</i>
Weight [g]	<i>5.812 [g]</i>
Width [mm]	<i>25.6 [mm]</i>
Width [in]	<i>1.008 [in]</i>
Height [mm]	<i>14.2 [mm]</i>
Height [in]	<i>0.559 [in]</i>
Length [mm]	<i>20.1 [mm]</i>
Length [in]	<i>0.791 [in]</i>
Safety information 1	<i>In grounded power lines</i>

Approbation					
Item No.	Registration	Registration no.	Voltage [V]	Current [A]	Cross section [mm ² , AWG]
<i>773-173</i>	<i>RosTest</i>	<i>AB24 B04007</i>			
<i>773-173</i>	<i>UL</i>	<i>DK140612-01</i>	<i>400</i>	<i>41</i>	<i>2,5-6</i>
<i>773-173</i>	<i>UL</i>	<i>DK137981-01</i>	<i>400</i>	<i>41</i>	<i>2,5-4</i>
<i>773-173</i>	<i>UL</i>	<i>E69654</i>	<i>600</i>	<i>20</i>	

Accessories		
General accessory		
Item no.	Description	Pack. unit (Sub Pack)
<i>773-332</i>	<i>Mounting carrier; for all 773 Series PUSH WIRE® connectors for junction boxes</i>	<i>10</i>

Images & drawings





Address

WAGO Kontakttechnik GmbH & Co. KG

Hansastr. 27

32423 Minden

Telefon: 0571/887-0

Fax: 0571/887-169

<http://www.wago.com>

© WAGO Kontakttechnik GmbH & Co. KG

Technische Änderungen und Irrtümer vorbehalten.