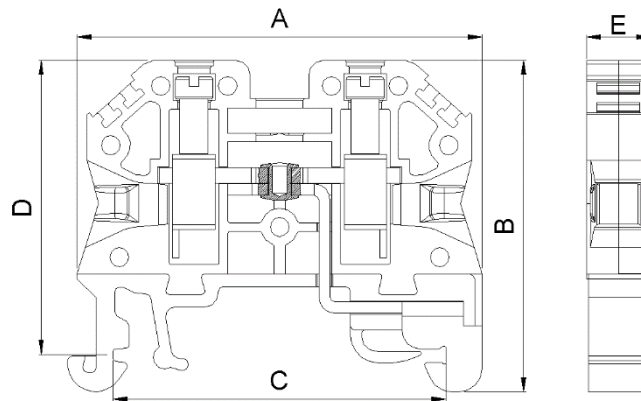




## 1293 – MTK 4 mm<sup>2</sup> Earth Rail Terminal Blocks



Product Name	A (mm)	B (mm)	C (mm)	D (mm)	E (mm)
<b>MTK 4 mm<sup>2</sup></b>	<b>42,8</b>	<b>35</b>	<b>35</b>	<b>31,2</b>	<b>7</b>

General Product Information	
Isolation Material	<b>PA 66</b>
UL 94 Flammability	<b>V2</b>
Working temperature	<b>(-40°C, +140°C)</b>
TSE / CE Technical Data	
Voltage	<b>750 V</b>
Current	<b>32 A</b>
Cross Section	<b>4 mm<sup>2</sup></b>
Norm	<b>EN-60947-7-1</b>
UL Technical Data	
Voltage	<b>600 V</b>
Current	-
Cross Section	<b>10 AWG</b>
Norm	<b>UL 1059</b>
Connection Information	
Connection type	<b>Screwed</b>
Stripping length	<b>10 mm</b>
Torque	<b>0,5 Nm</b>

### Accessories:

[Rails](#)

[Stoppers](#)

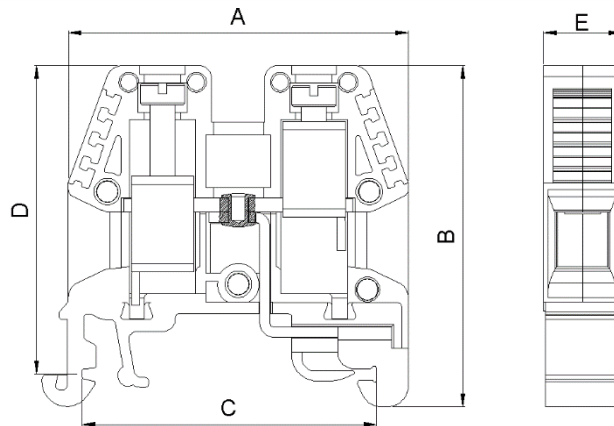
[Numbering Accessories](#)

[Marking Labels](#)





## 1294 – MTK 10 mm<sup>2</sup> Earth Rail Terminal Blocks



Product Name	A (mm)	B (mm)	C (mm)	D (mm)	E (mm)
<b>MTK 10 mm<sup>2</sup></b>	<b>40,7</b>	<b>40,6</b>	<b>37,4</b>	<b>35</b>	<b>9,7</b>

<b>General Product Information</b>	
Isolation Material	<b>PA 66</b>
UL 94 Flammability	<b>V2</b>
Working temperature	<b>(-40°C, +140°C)</b>
<b>TSE / CE Technical Data</b>	
Voltage	<b>750 V</b>
Current	-
Cross Section	<b>10 mm<sup>2</sup></b>
Norm	<b>EN-60947-7-1</b>
<b>UL Technical Data</b>	
Voltage	<b>600 V</b>
Current	-
Cross Section	<b>8 AWG</b>
Norm	<b>UL 1059</b>
<b>Connection Information</b>	
Connection type	<b>Screwed</b>
Stripping length	<b>10 mm</b>
Torque	<b>1,2 Nm</b>

### Accessories:

[Rails](#)

[Stoppers](#)

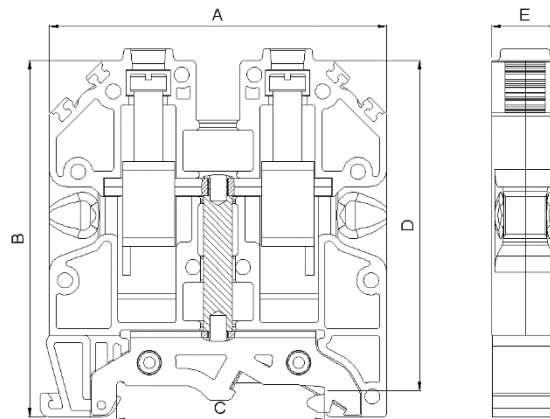
[Numbering Accessories](#)

[Marking Labels](#)





## 1295 – MTK 16 mm<sup>2</sup> Earth Rail Terminal Blocks



Product Name	A (mm)	B (mm)	C (mm)	D (mm)	E (mm)
<b>MTK 16 mm<sup>2</sup></b>	<b>58,2</b>	<b>61,3</b>	<b>35</b>	<b>57</b>	<b>11,6</b>

<b>General Product Information</b>	
Isolation Material	<b>PA 66</b>
UL 94 Flammability	<b>V2</b>
Working temperature	<b>(-40°C, +140°C)</b>
<b>TSE / CE Technical Data</b>	
Voltage	<b>750 V</b>
Current	-
Cross Section	<b>16 mm<sup>2</sup></b>
Norm	<b>EN-60947-7-1</b>
<b>UL Technical Data</b>	
Voltage	<b>600 V</b>
Current	-
Cross Section	<b>6 AWG</b>
Norm	<b>UL 1059</b>
<b>Connection Information</b>	
Connection type	<b>Screwed</b>
Stripping length	<b>10 mm</b>
Torque	<b>1,2 Nm</b>

### Accessories:

[Rails](#)

[Stoppers](#)

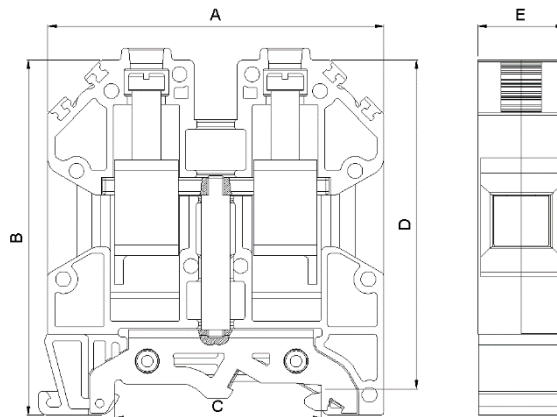
[Numbering Accessories](#)

[Marking Labels](#)





## 1296 – MTK 35 mm<sup>2</sup> Earth Rail Terminal Blocks



Product Name	A (mm)	B (mm)	C (mm)	D (mm)	E (mm)
<b>MTK 35 mm<sup>2</sup></b>	<b>58,2</b>	<b>61,3</b>	<b>35</b>	<b>57</b>	<b>15</b>

General Product Information	
Isolation Material	<b>PA 66</b>
UL 94 Flammability	<b>V2</b>
Working temperature	<b>(-40°C, +140°C)</b>
TSE / CE Technical Data	
Voltage	<b>750 V</b>
Current	-
Cross Section	<b>35 mm<sup>2</sup></b>
Norm	<b>EN-60947-7-1</b>
Connection Information	
Connection type	<b>Screwed</b>
Stripping length	<b>10 mm</b>
Torque	<b>2,5 Nm</b>

### Accessories:

[Rails](#)

[Stoppers](#)

[Numbering Accessories](#)

[Marking Labels](#)

