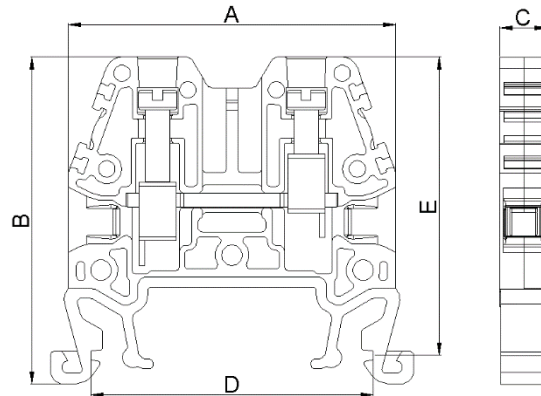




## 1012 – MRK 2,5 mm<sup>2</sup> Rail Terminal Blocks



Product Name	A (mm)	B (mm)	C (mm)	D (mm)	E (mm)
<b>MRK 2,5 mm<sup>2</sup></b>	<b>40</b>	<b>40</b>	<b>5,8</b>	<b>35</b>	<b>36,5</b>

<b>General Product Information</b>	
Isolation Material	<b>PA 66</b>
UL 94 Flammability	<b>V2</b>
Working temperature	<b>(-40°C, +140°C)</b>
<b>TSE / CE Technical Data</b>	
Voltage	<b>750 V</b>
Current	<b>24 A</b>
Cross Section	<b>2,5 mm<sup>2</sup></b>
Norm	<b>EN-60947-7-1</b>
<b>UL Technical Data</b>	
Voltage	<b>600 V</b>
Current	<b>24 A</b>
Cross Section	<b>12 AWG</b>
Norm	<b>UL 1059</b>
<b>Connection Information</b>	
Connection type	<b>Screwed</b>
Stripping length	<b>10 mm</b>
Torque	<b>0,5 Nm</b>

### Accessories:

[Rails](#)

[Stoppers](#)

[Numbering Accessories](#)

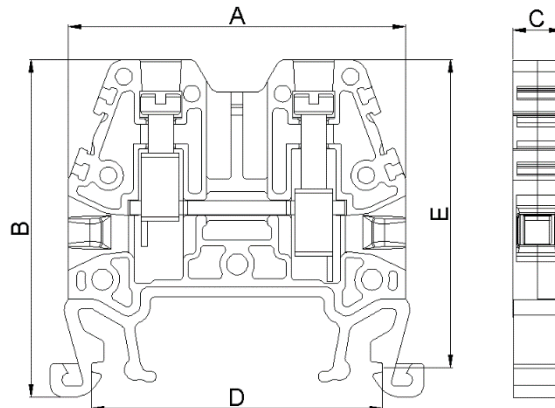
[Marking Labels](#)

[Cross Connections](#)





## 1022 – MRK 4 mm<sup>2</sup> Rail Terminal Blocks



Product Name	A (mm)	B (mm)	C (mm)	D (mm)	E (mm)
<b>MRK 4 mm<sup>2</sup></b>	<b>40</b>	<b>40</b>	<b>6,6</b>	<b>35</b>	<b>36,5</b>

General Product Information	
Isolation Material	<b>PA 66</b>
UL 94 Flammability	<b>V2</b>
Working temperature	<b>(-40°C, +140°C)</b>
TSE / CE Technical Data	
Voltage	<b>750 V</b>
Current	<b>32 A</b>
Cross Section	<b>4 mm<sup>2</sup></b>
Norm	<b>EN-60947-7-1</b>
UL Technical Data	
Voltage	<b>600 V</b>
Current	<b>32 A</b>
Cross Section	<b>10 AWG</b>
Norm	<b>UL 1059</b>
Connection Information	
Connection type	<b>Screwed</b>
Stripping length	<b>10 mm</b>
Torque	<b>0,5 Nm</b>

### Accessories:

[Rails](#)

[Stoppers](#)

[Numbering Accessories](#)

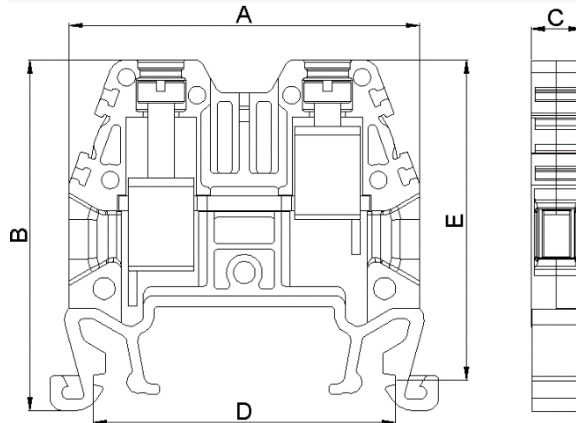
[Marking Labels](#)

[Cross Connections](#)





## 1032 – MRK 6 mm<sup>2</sup> Rail Terminal Blocks



Product Name	A (mm)	B (mm)	C (mm)	D (mm)	E (mm)
<b>MRK 6 mm<sup>2</sup></b>	<b>40</b>	<b>40</b>	<b>8,2</b>	<b>35</b>	<b>36,5</b>

General Product Information	
Isolation Material	<b>PA 66</b>
UL 94 Flammability	<b>V2</b>
Working temperature	<b>(-40°C, +140°C)</b>
TSE / CE Technical Data	
Voltage	<b>750 V</b>
Current	<b>41 A</b>
Cross Section	<b>6 mm<sup>2</sup></b>
Norm	<b>EN-60947-7-1</b>
UL Technical Data	
Voltage	<b>600 V</b>
Current	<b>32 A</b>
Cross Section	<b>8 AWG</b>
Norm	<b>UL 1059</b>
Connection Information	
Connection type	<b>Screwed</b>
Stripping length	<b>10 mm</b>
Torque	<b>0,8 Nm</b>

### Accessories:

[Rails](#)

[Stoppers](#)

[Numbering Accessories](#)

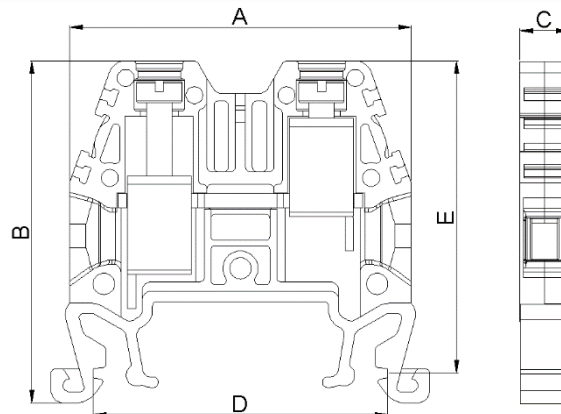
[Marking Labels](#)

[Cross Connections](#)





## 1042 – MRK 10 mm<sup>2</sup> Rail Terminal Blocks



Product Name	A (mm)	B (mm)	C (mm)	D (mm)	E (mm)
<b>MRK 10 mm<sup>2</sup></b>	<b>40</b>	<b>40</b>	<b>9,6</b>	<b>35</b>	<b>36,5</b>

<b>General Product Information</b>	
Isolation Material	<b>PA 66</b>
UL 94 Flammability	<b>V2</b>
Working temperature	<b>(-40°C, +140°C)</b>
<b>TSE / CE Technical Data</b>	
Voltage	<b>750 V</b>
Current	<b>57 A</b>
Cross Section	<b>10 mm<sup>2</sup></b>
Norm	<b>EN-60947-7-1</b>
<b>UL Technical Data</b>	
Voltage	<b>600 V</b>
Current	<b>57 A</b>
Cross Section	<b>8 AWG</b>
Norm	<b>UL 1059</b>
<b>Connection Information</b>	
Connection type	<b>Screwed</b>
Stripping length	<b>10 mm</b>
Torque	<b>1,2 Nm</b>

### Accessories:

[Rails](#)

[Stoppers](#)

[Numbering Accessories](#)

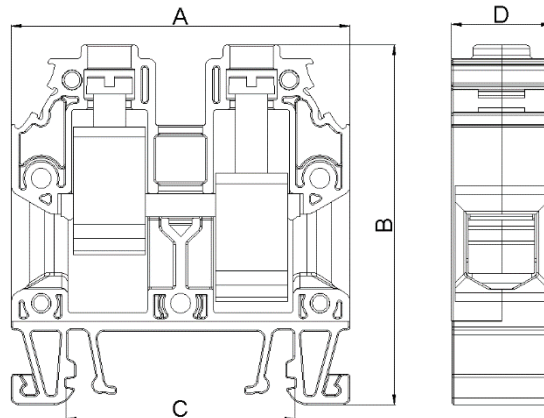
[Marking Labels](#)

[Cross Connections](#)





## 1132 – NEW MRK 16 mm<sup>2</sup> Rail Terminal Blocks



Product Name	A (mm)	B (mm)	C (mm)	D (mm)
<b>New MRK 16 mm<sup>2</sup></b>	<b>51</b>	<b>54</b>	<b>35</b>	<b>12</b>

<b>General Product Information</b>	
Isolation Material	<b>PA 66</b>
UL 94 Flammability	<b>V2</b>
Working temperature	<b>(-40°C, +140°C)</b>
<b>TSE / CE Technical Data</b>	
Voltage	<b>750 V</b>
Current	<b>76 A</b>
Cross Section	<b>16 mm<sup>2</sup></b>
Norm	<b>EN-60947-7-1</b>
<b>UL Technical Data</b>	
Voltage	<b>600 V</b>
Current	<b>70 A</b>
Cross Section	<b>6 AWG</b>
Norm	<b>UL 1059</b>
<b>Connection Information</b>	
Connection type	<b>Screwed</b>
Stripping length	<b>10 mm</b>
Torque	<b>2 Nm</b>

### Accessories:

[Rails](#)

[Stoppers](#)

[Numbering Accessories](#)

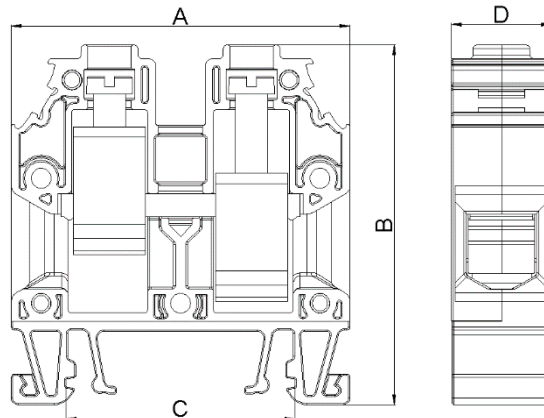
[Marking Labels](#)

[Cross Connections](#)





## 1142 – NEW MRK 35 mm<sup>2</sup> Rail Terminal Blocks



Product Name	A (mm)	B (mm)	C (mm)	D (mm)
<b>YENİ MRK 35 mm<sup>2</sup></b>	<b>51</b>	<b>54</b>	<b>35</b>	<b>15</b>

General Product Information	
Isolation Material	<b>PA 66</b>
UL 94 Flammability	<b>V2</b>
Working temperature	<b>(-40°C, +140°C)</b>
TSE / CE Technical Data	
Voltage	<b>750 V</b>
Current	<b>125 A</b>
Cross Section	<b>35 mm<sup>2</sup></b>
Norm	<b>EN-60947-7-1</b>
Connection Information	
Connection type	<b>Screwed</b>
Stripping length	<b>10 mm</b>
Torque	<b>2,5 Nm</b>

### Accessories:

[Rails](#)

[Stoppers](#)

[Numbering Accessories](#)

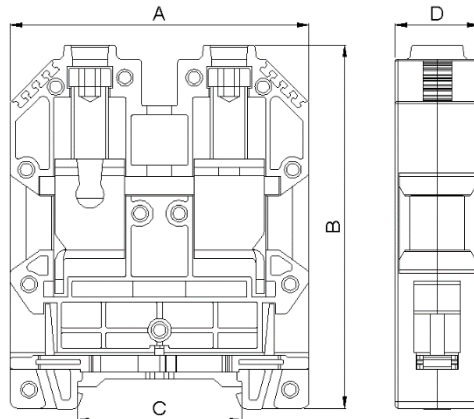
[Marking Labels](#)

[Cross Connections](#)





## 1072 – MRK 50 mm<sup>2</sup> Rail Terminal Blocks



Product Name	A (mm)	B (mm)	C (mm)	D (mm)
<b>MRK 50 mm<sup>2</sup></b>	<b>63,5</b>	<b>74,5</b>	<b>35</b>	<b>18</b>

<b>General Product Information</b>	
Isolation Material	<b>PA 66</b>
UL 94 Flammability	<b>V2</b>
Working temperature	<b>(-40°C, +140°C)</b>
<b>TSE / CE Technical Data</b>	
Voltage	<b>750 V</b>
Current	<b>150 A</b>
Cross Section	<b>50 mm<sup>2</sup></b>
Norm	<b>EN-60947-7-1</b>
<b>UL Technical Data</b>	
Voltage	<b>600 V</b>
Current	<b>110 A</b>
Cross Section	<b>0 AWG</b>
Norm	<b>UL 1059</b>
<b>Connection Information</b>	
Connection type	<b>Screwed</b>
Stripping length	<b>10 mm</b>
Torque	<b>6 Nm</b>

### Accessories:

[Rails](#)

[Stoppers](#)

[Numbering Accessories](#)

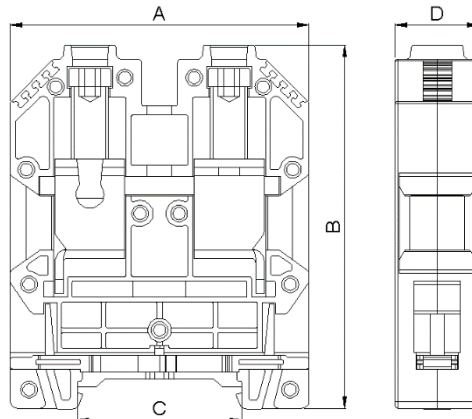
[Marking Labels](#)

[Cross Connections](#)





## 1082 – MRK 70 mm<sup>2</sup> Rail Terminal Blocks



Product Name	A (mm)	B (mm)	C (mm)	D (mm)
<b>MRK 70 mm<sup>2</sup></b>	<b>63,5</b>	<b>74,5</b>	<b>35</b>	<b>20,7</b>

<b>General Product Information</b>	
Isolation Material	<b>PA 66</b>
UL 94 Flammability	<b>V2</b>
Working temperature	<b>(-40°C, +140°C)</b>
<b>TSE / CE Technical Data</b>	
Voltage	<b>750 V</b>
Current	<b>192 A</b>
Cross Section	<b>70 mm<sup>2</sup></b>
Norm	<b>EN-60947-7-1</b>
<b>UL Technical Data</b>	
Voltage	<b>600 V</b>
Current	<b>165 A</b>
Cross Section	<b>00 AWG</b>
Norm	<b>UL 1059</b>
<b>Connection Information</b>	
Connection type	<b>Screwed</b>
Stripping length	<b>10 mm</b>
Torque	<b>6 Nm</b>

### Accessories:

[Rails](#)

[Stoppers](#)

[Numbering Accessories](#)

[Marking Labels](#)

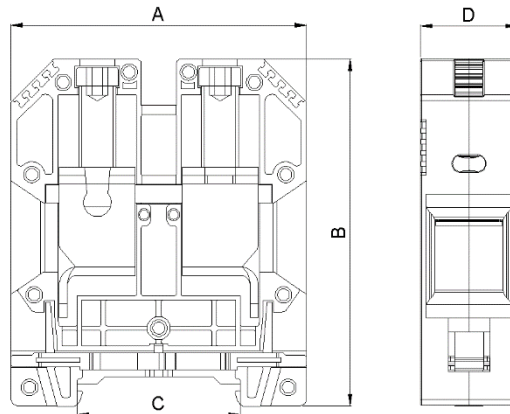
[Cross Connections](#)







## 1092 – MRK 95 mm<sup>2</sup> Rail Terminal Blocks



Product Name	A (mm)	B (mm)	C (mm)	D (mm)
<b>MRK 95 mm<sup>2</sup></b>	<b>74,5</b>	<b>87,7</b>	<b>35</b>	<b>24</b>

General Product Information	
Isolation Material	<b>PA 66</b>
UL 94 Flammability	<b>V2</b>
Working temperature	<b>(-40°C, +140°C)</b>
TSE / CE Technical Data	
Voltage	<b>1000 V</b>
Current	<b>232 A</b>
Cross Section	<b>95 mm<sup>2</sup></b>
Norm	<b>EN-60947-7-1</b>
Connection Information	
Connection type	<b>Screwed</b>
Stripping length	<b>10 mm</b>
Torque	<b>6 Nm</b>

### Accessories:

[Rails](#)

[Stoppers](#)

[Numbering Accessories](#)

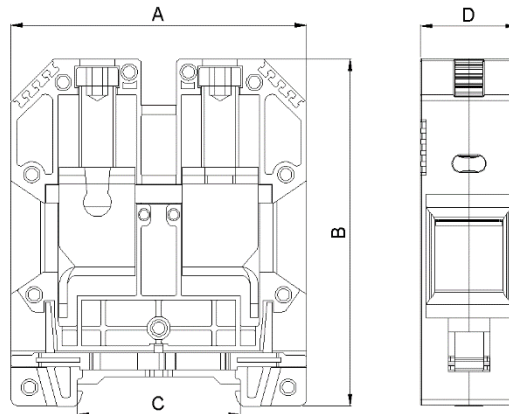
[Marking Labels](#)

[Cross Connections](#)





## 1102 – MRK 120 mm<sup>2</sup> Rail Terminal Blocks



Product Name	A (mm)	B (mm)	C (mm)	D (mm)
<b>MRK 120 mm<sup>2</sup></b>	<b>74,5</b>	<b>87,7</b>	<b>35</b>	<b>26</b>

General Product Information	
Isolation Material	<b>PA 66</b>
UL 94 Flammability	<b>V2</b>
Working temperature	<b>(-40°C, +140°C)</b>
TSE / CE Technical Data	
Voltage	<b>1000 V</b>
Current	<b>269 A</b>
Cross Section	<b>120 mm<sup>2</sup></b>
Norm	<b>EN-60947-7-1</b>
Connection Information	
Connection type	<b>Screwed</b>
Stripping length	<b>10 mm</b>
Torque	<b>6 Nm</b>

### Accessories:

[Rails](#)

[Stoppers](#)

[Numbering Accessories](#)

[Marking Labels](#)

[Cross Connections](#)

