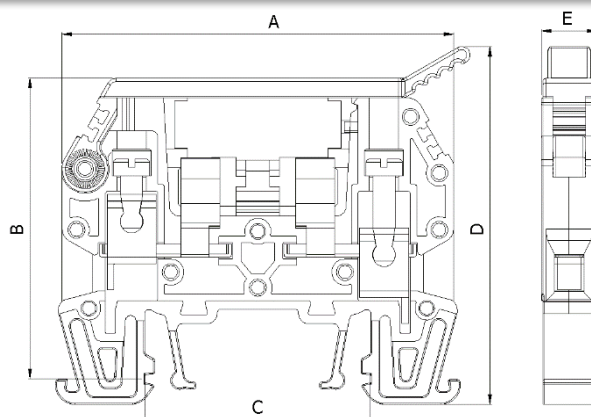




1322 – MRK FUSED 6 mm² Rail Terminal Blocks



Product Name	A (mm)	B (mm)	C (mm)	D (mm)	E (mm)
MRK-S 6 mm²	60	46	35	55	8,5

General Product Information	
Isolation Material	PA 66
UL 94 Flammability	V2
Working temperature	(-40°C, +140°C)
TSE / CE Technical Data	
Voltage	750 V
Current	6,3 A
Cross Section	6 mm²
Norm	EN-60947-7-1
UL Technical Data	
Voltage	600 V
Current	6,3 A
Cross Section	8 AWG
Norm	UL 1059
Connection Information	
Connection type	Screwed
Stripping length	10 mm
Torque	0,8 Nm

Accessories:

[Rails](#)

[Stoppers](#)

[Numbering Accessories](#)

[Marking Labels](#)

[Cross Connections](#)

