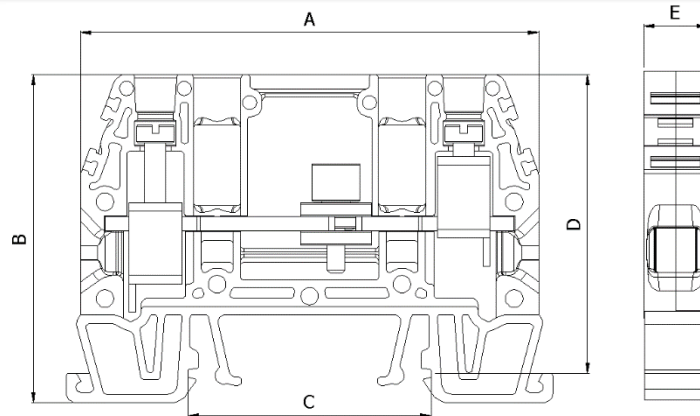




1313 – MRK TESTING 10 mm² Rail Terminal Blocks



Product Name	A (mm)	B (mm)	C (mm)	D (mm)	E (mm)
MRK TEST 10 mm²	65	46,5	35	42,2	9

General Product Information	
Isolation Material	PA 66
UL 94 Flammability	V2
Working temperature	(-40°C, +140°C)
TSE / CE Technical Data	
Voltage	750 V
Current	57 A
Cross Section	10 mm²
Norm	EN-60947-7-1
UL Technical Data	
Voltage	600 V
Current	55 A
Cross Section	8 AWG
Norm	UL 1059
Connection Information	
Connection type	Screwed
Stripping length	10 mm
Torque	1,2 Nm

Accessories:

[Rails](#)

[Stoppers](#)

[Numbering Accessories](#)

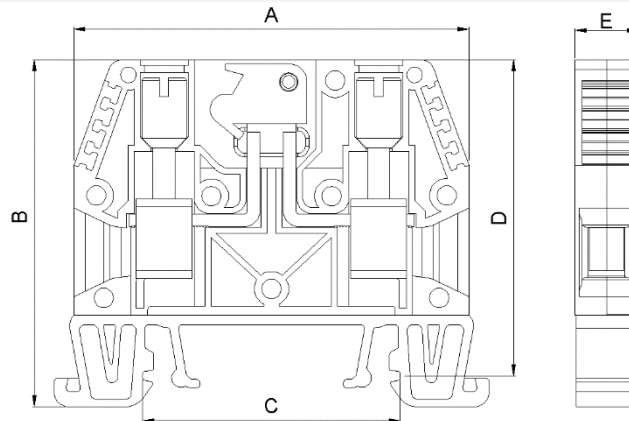
[Marking Labels](#)

[Cross Connections](#)





1317 – MRK TESTING 6 mm² Rail Terminal Blocks



Product Name	A (mm)	B (mm)	C (mm)	D (mm)	E (mm)
MRK TEST 6 mm²	53	46,5	42,5	35	8,5

General Product Information	
Isolation Material	PA 66
UL 94 Flammability	V2
Working temperature	(-40°C, +140°C)
TSE / CE Technical Data	
Voltage	750 V
Current	41 A
Cross Section	6 mm²
Norm	EN-60947-7-1
UL Technical Data	
Voltage	600 V
Current	41 A
Cross Section	8 AWG
Norm	UL 1059
Connection Information	
Connection type	Screwed
Stripping length	10 mm
Torque	0,8 Nm

Accessories:

[Rails](#)

[Stoppers](#)

[Numbering Accessories](#)

[Marking Labels](#)

[Cross Connections](#)

