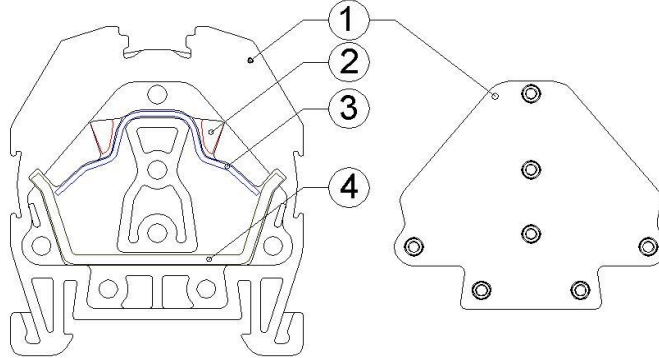


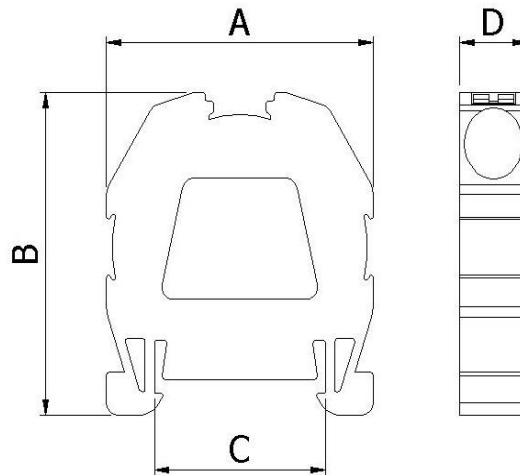
## MPK SERIES MINI PUSH-IN TERMINAL BLOCK(2,5 mm<sup>2</sup>)

### ASSEMBLING PARTS



Part Name	Qty	Material
Body-Cover	1	PA 6.6 V2
Pushing Pin	2	PA 6.6 V2
Spring	1	Stainless steel
Bridge	1	Copper

### Product Size



Product Code	Product type	Amp(A)	Voltage(V)	A(mm)	B(mm)	C(mm)	D(mm)
ONKA-1421	MPK 2,5 mm <sup>2</sup>	24	750	23	26,5	15	5,9