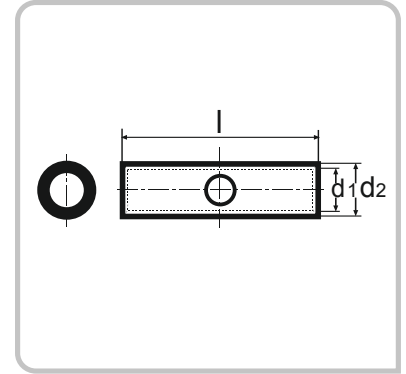
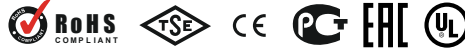


Standard Type Butt-connectors



Features

- Tempering of the cable lugs during the production process provides easy and more practical usage of the Şafak Cable Lugs.
 - Cable lugs are reheated at 700 degrees so that they do not break after the crimping process.
 - All of the Şafak Cable Lugs are tempered during production process.
- ⚠ These butt-connectors must be crimped with ST series dies.

Material : EN 13600 standard copper
Surface Treatment : Tin Plated

Product Code	Cross-Section mm ²	Dimensions (mm)			Package Amount (Pcs)	Package Weight (-kg)
		d1	d2	L		
ST EM006	6 mm²	3,8	5,5	30	800	2,30
ST EM010	10 mm²	4,7	6,6	29	600	2,50
ST EM016	16 mm²	5,6	7,8	32	400	2,50
ST EM025	25 mm²	7,1	9,5	40,5	250	2,80
ST EM035	35 mm²	8,2	10,8	45,5	150	2,30
ST EM050	50 mm²	10,1	13	53,5	90	2,30
ST EM070	70 mm²	11,5	14,7	57,5	65	2,20
ST EM095	95 mm²	13,5	16,7	61,5	50	2,10
ST EM120	120 mm²	15,6	19	74	40	2,40
ST EM150	150 mm²	16,5	21	79	25	2,30
ST EM185	185 mm²	18,4	23	85	22	2,50
ST EM240	240 mm²	21	26	94	18	2,90
ST EM300	300 mm²	23,4	28,6	98,5	10	2,00
ST EM400	400 mm²	26,8	32,8	112	5	2,30
ST EM500	500 mm²	29,8	38,4	120	5	2,36
ST EM600	600 mm²	34,5	44	140	5	3,09

- Our goods are manufactured of electrolytic copper(E-Cu), they are full tempered, welded and min. 3 micron tin plated.
- Our company reserves the right of changing the dimension of the products without any prior notification