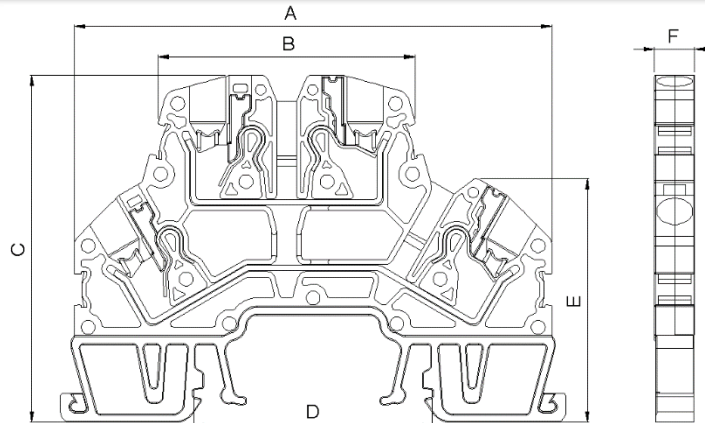




1722 – OPK-Ç 2,5 mm² PUSH-IN TYPE TERMINAL BLOCKS (DOUBLE)



Product Name	A (mm)	B (mm)	C (mm)	D (mm)	E (mm)	F (mm)
OPK-Ç 2,5 mm ²	69	37	35	35	35,5	5,9

General Product Information	
Isolation Material	PA 66
UL 94 Flammability	V2
Working temperature	(-40°C, +140°C)
TSE / CE Technical Data	
Voltage	750 V
Current	24 A
Cross Section	2,5 mm ²
Norm	EN-60947-7-1
UL Technical Data	
Voltage	300 V
Current	16 A
Cross Section	12 AWG
Norm	UL 1059
Connection Information	
Connection type	Push-in type
Stripping length	10 mm

Accessories:

[Rails](#)

[Stoppers](#)

[Numbering Accessories](#)

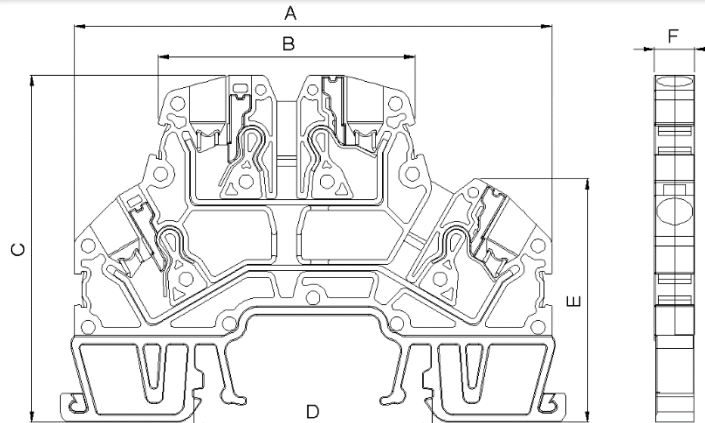
[Marking Labels](#)

[Cross Connections](#)





1752 – OPK-Ç 4 mm² PUSH-IN TYPE TERMINAL BLOCKS (DOUBLE)



Product Name	A (mm)	B (mm)	C (mm)	D (mm)	E (mm)	F (mm)
OPK-Ç 4 mm²	69	37	35	35	35,5	7,1

General Product Information	
Isolation Material	PA 66
UL 94 Flammability	V2
Working temperature	(-40°C, +140°C)
TSE / CE Technical Data	
Voltage	750 V
Current	32 A
Cross Section	4 mm²
Norm	EN-60947-7-1
UL Technical Data	
Voltage	300 V
Current	22 A
Cross Section	10 AWG
Norm	UL 1059
Connection Information	
Connection type	Push-in type
Stripping length	10 mm

Accessories:

[Rails](#)

[Stoppers](#)

[Numbering Accessories](#)

[Marking Labels](#)

[Cross Connections](#)

