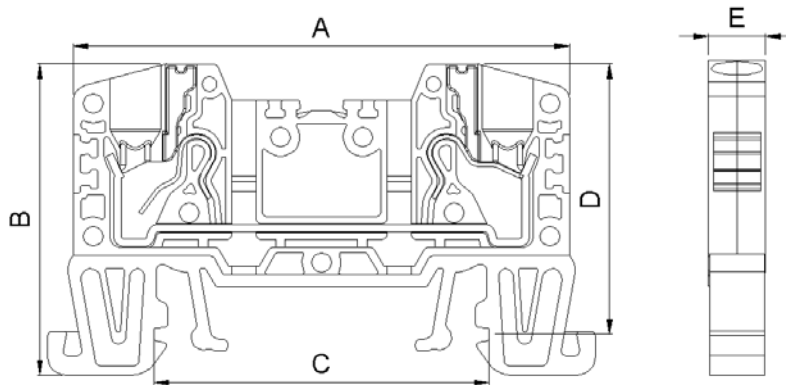


1502 – OPK 2,5 mm² PUSH-IN TYPE RAIL TERMINAL BLOCKS



Product Name	A (mm)	B (mm)	C (mm)	D (mm)	E (mm)
OPK 2,5 mm²	51,2	32	35	28	6

General Product Information	
Isolation Material	PA 66
UL 94 Flammability	V2
Working temperature	(-40°C, +140°C)
TSE / CE Technical Data	
Voltage	750 V
Current	24 A
Cross Section	2,5 mm²
Norm	EN-60947-7-1
UL Technical Data	
Voltage	600 V
Current	20 A
Cross Section	12 AWG
Norm	UL 1059
Connection Information	
Connection type	Push-in type
Stripping length	10 mm

Accessories:

[Rails](#)

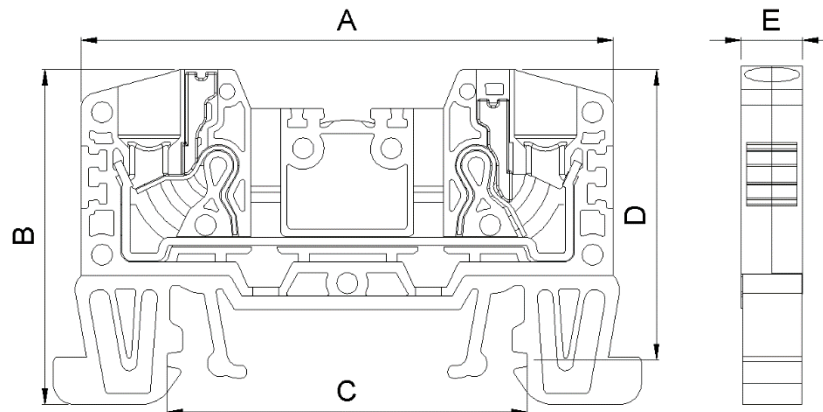
[Stoppers](#)

[Numbering Accessories](#)

[Marking Labels](#)

[Cross Connections](#)

1512 – OPK 4 mm² PUSH-IN TYPE RAIL TERMINAL BLOCKS



Product Name	A (mm)	B (mm)	C (mm)	D (mm)	E (mm)
OPK 4 mm²	51,2	32	35	28	7

General Product Information	
Isolation Material	PA 66
UL 94 Flammability	V2
Working temperature	(-40°C, +140°C)
TSE / CE Technical Data	
Voltage	750 V
Current	32 A
Cross Section	4 mm²
Norm	EN-60947-7-1
UL Technical Data	
Voltage	600 V
Current	26 A
Cross Section	10 AWG
Norm	UL 1059
Connection Information	
Connection type	Push-in type
Stripping length	10 mm

Accessories:

[Rails](#)

[Stoppers](#)

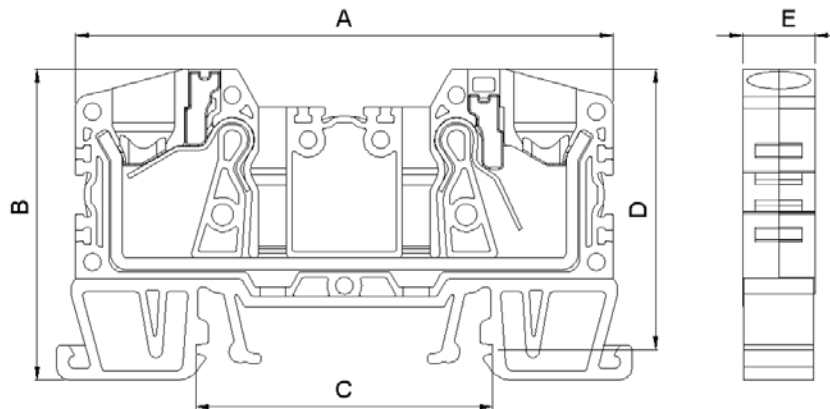
[Numbering Accessories](#)

[Marking Labels](#)

[Cross Connections](#)



1522 – OPK 6 mm² PUSH-IN TYPE RAIL TERMINAL BLOCKS



Product Name	A (mm)	B (mm)	C (mm)	D (mm)	E (mm)
OPK 6 mm²	62,5	36	35	32,4	8,4

General Product Information	
Isolation Material	PA 66
UL 94 Flammability	V2
Working temperature	(-40°C, +140°C)
TSE / CE Technical Data	
Voltage	750 V
Current	41 A
Cross Section	6 mm²
Norm	EN-60947-7-1
Connection Information	
Connection type	Push-in type
Stripping length	10 mm

Accessories:

[Rails](#)

[Stoppers](#)

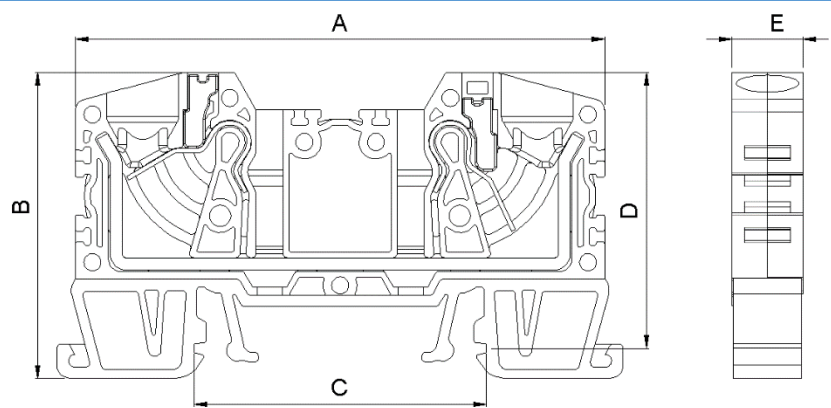
[Numbering Accessories](#)

[Marking Labels](#)

[Cross Connections](#)



1532 – OPK 10 mm² PUSH-IN TYPE RAIL TERMINAL BLOCKS



Product Name	A (mm)	B (mm)	C (mm)	D (mm)	E (mm)
OPK 10 mm²	62,5	36	35	32,4	10

General Product Information	
Isolation Material	PA 66
UL 94 Flammability	V2
Working temperature	(-40°C, +140°C)
TSE / CE Technical Data	
Voltage	750 V
Current	57 A
Cross Section	10 mm²
Norm	EN-60947-7-1
Connection Information	
Connection type	Push-in type
Stripping length	10 mm

Accessories:

[Rails](#)

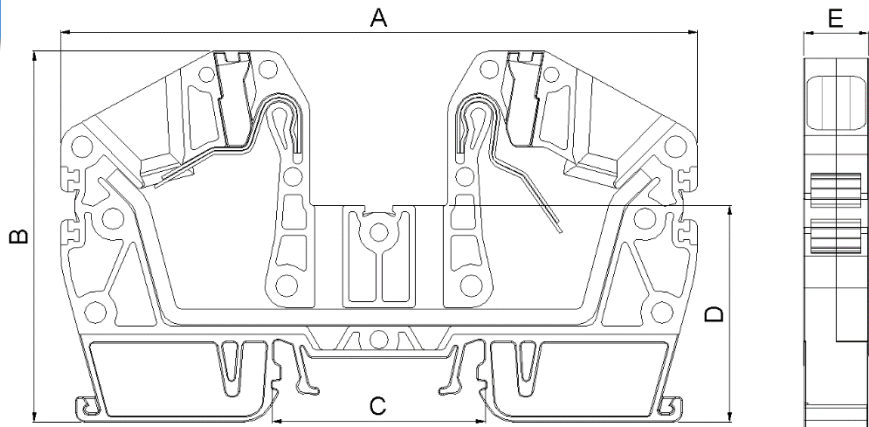
[Stoppers](#)

[Numbering Accessories](#)

[Marking Labels](#)

[Cross Connections](#)

1542 – OPK 16 mm² PUSH-IN TYPE RAIL TERMINAL BLOCKS



Product Name	A (mm)	B (mm)	C (mm)	D (mm)	E (mm)
OPK 16 mm²	103	60	35	35	10,8

General Product Information	
Isolation Material	PA 66
UL 94 Flammability	V2
Working temperature	(-40°C, +140°C)
TSE / CE Technical Data	
Voltage	750 V
Current	76 A
Cross Section	16 mm²
Norm	EN-60947-7-1
Connection Information	
Connection type	Push-in type
Stripping length	10 mm

Accessories:

[Rails](#)

[Stoppers](#)

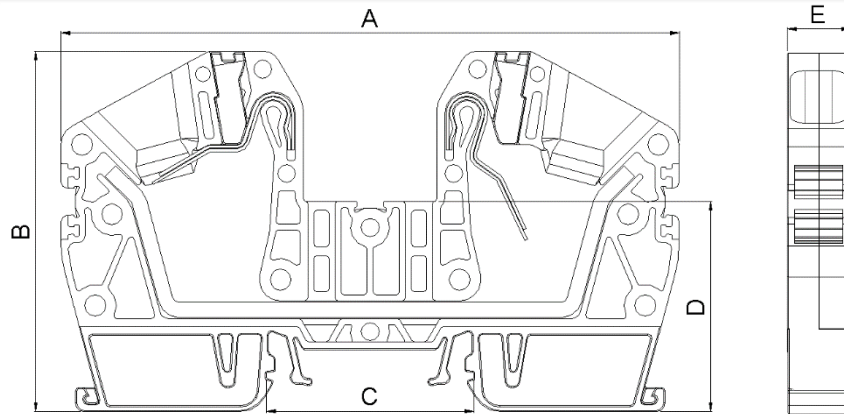
[Numbering Accessories](#)

[Marking Labels](#)

[Cross Connections](#)



1552 – OPK 35 mm² PUSH-IN TYPE RAIL TERMINAL BLOCKS



Product Name	A (mm)	B (mm)	C (mm)	D (mm)	E (mm)
OPK 35 mm²	103	60	35	35	15,2

General Product Information	
Isolation Material	PA 66
UL 94 Flammability	V2
Working temperature	(-40°C, +140°C)
TSE / CE Technical Data	
Voltage	750 V
Current	125 A
Cross Section	35 mm²
Norm	EN-60947-7-1
Connection Information	
Connection type	Push-in type
Stripping length	10 mm

Accessories:

[Rails](#)

[Stoppers](#)

[Numbering Accessories](#)

[Marking Labels](#)

[Cross Connections](#)

