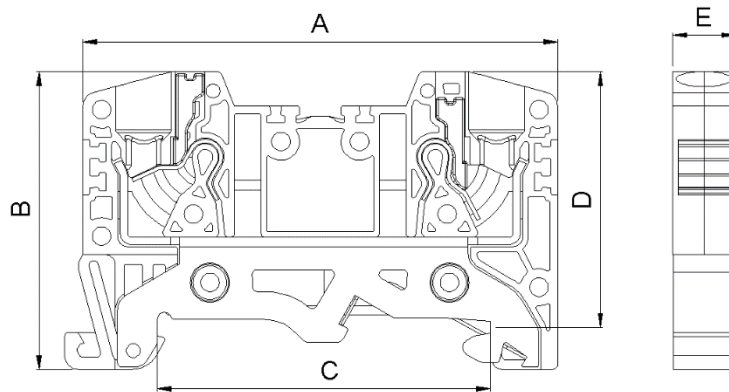


## 1199 – OPK-T 4 mm<sup>2</sup> PUSH-IN TYPE EARTH TERMINAL BLOCKS



Product Name	A (mm)	B (mm)	C (mm)	D (mm)	E (mm)
<b>OPK -T 4 mm<sup>2</sup></b>	<b>51</b>	<b>27,5</b>	<b>35</b>	<b>23</b>	<b>7</b>

<b>General Product Information</b>	
Isolation Material	<b>PA 66</b>
UL 94 Flammability	<b>V2</b>
Working temperature	<b>(-40°C, +140°C)</b>
<b>TSE / CE Technical Data</b>	
Voltage	<b>750 V</b>
Current	-
Cross Section	<b>4 mm<sup>2</sup></b>
Norm	<b>EN-60947-7-1</b>
<b>Connection Information</b>	
Connection type	<b>Push-in type</b>
Stripping length	<b>10 mm</b>

### Accessories:

[Rails](#)

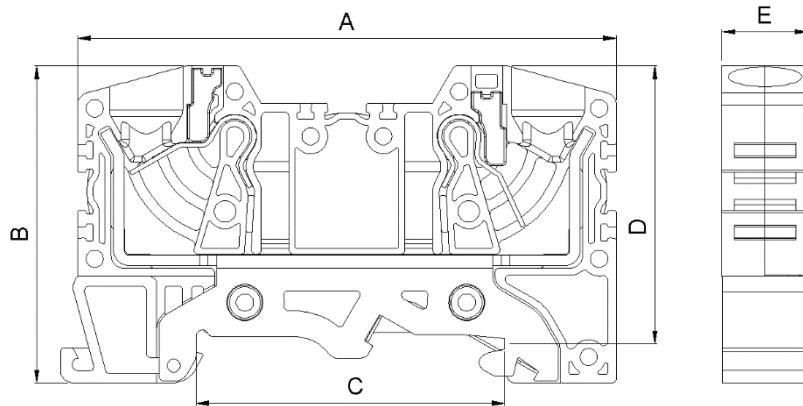
[Stoppers](#)

[Numbering Accessories](#)

[Marking Labels](#)



## 1200 – OPK-T 10 mm<sup>2</sup> PUSH-IN TYPE EARTH TERMINAL BLOCKS



Product Name	A (mm)	B (mm)	C (mm)	D (mm)	E (mm)
<b>OPK -T 10 mm<sup>2</sup></b>	<b>62,5</b>	<b>36,7</b>	<b>35</b>	<b>32,3</b>	<b>10</b>

General Product Information	
Isolation Material	<b>PA 66</b>
UL 94 Flammability	<b>V2</b>
Working temperature	<b>(-40°C, +140°C)</b>
TSE / CE Technical Data	
Voltage	<b>750 V</b>
Current	-
Cross Section	<b>10 mm<sup>2</sup></b>
Norm	<b>EN-60947-7-1</b>
Connection Information	
Connection type	<b>Push-in type</b>
Stripping length	<b>10 mm</b>

### Accessories:

[Rails](#)

[Stoppers](#)

[Numbering Accessories](#)

[Marking Labels](#)

