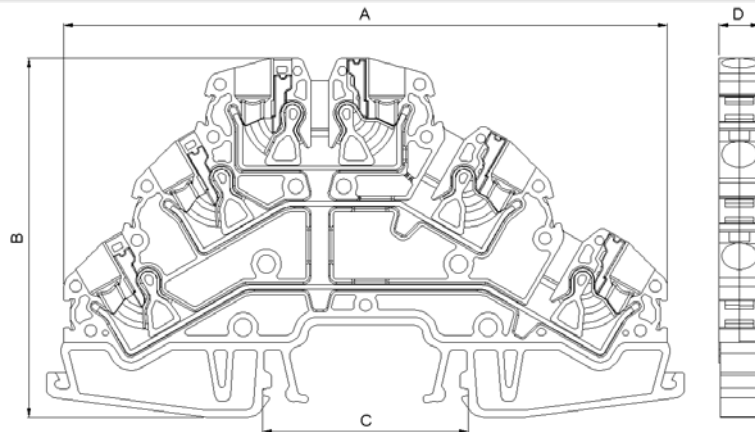


1852 – OPK 2,5 PUSH-IN TYPE TERMINAL BLOCKS (TRIPLE)



Product Name	A (mm)	B (mm)	C (mm)	D (mm)
OPK 2,5 mm² TRIPLE	104	60	35	6

General Product Information	
Isolation Material	PA 66
UL 94 Flammability	V2
Working temperature	(-40°C, +140°C)
TSE / CE Technical Data	
Voltage	750 V
Current	24 A
Cross Section	2,5 mm²
Norm	EN-60947-7-1
Connection Information	
Connection type	Push-in type
Stripping length	10 mm

Accessories:

[Rails](#)

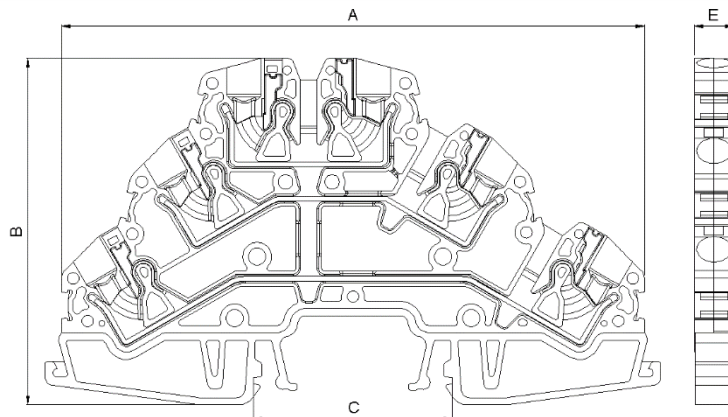
[Stoppers](#)

[Numbering Accessories](#)

[Marking Labels](#)

[Cross Connections](#)

1882 – OPK 4 mm² PUSH-IN TYPE TERMINAL BLOCKS (TRIPLE)



Product Name	A (mm)	B (mm)	C (mm)	D (mm)
OPK 4 mm² TRIPLE	104	60	35	7

General Product Information	
Isolation Material	PA 66
UL 94 Flammability	V2
Working temperature	(-40°C, +140°C)
TSE / CE Technical Data	
Voltage	750 V
Current	32 A
Cross Section	4 mm²
Norm	EN-60947-7-1
Connection Information	
Connection type	Push-in type
Stripping length	10 mm

Accessories:

[Rails](#)

[Stoppers](#)

[Numbering Accessories](#)

[Marking Labels](#)

[Cross Connections](#)